

Worktop induction hob - Novy Easy 65 Recirculation
4-zones 65 cm
Black

EAN 5414425258291



Dimensions (mm)

Dimensions (WxDxH) (mm)	650 x 520 x 248
Cut-out worktop (WxD)(mm)	560 x 490
Dimensions cut-out with inset (WxDxH) (mm)	654 x 524 x 6

Cooker hood

General information

Integrated motor	•
Number of metal grease filters	1
Recirculation	•
Dimensions exhaust (mm)	89 x 222
Position exhaust	Back left / Under left

Functions

Control	Red slider touch control
Number of speeds	9 + P
Delayed switch off (minutes)	30
Grease filter cleaning indication	•
Recirculation filter replacement indication	•
Watertank(s) for cleaning	•

Air flow & noise level

Air flow duct out (m ³ /u) (EN 61591):	
- Minimum	143
- Maximum continues	480
- Maximum	492
Sound pressure/power duct out setting (dB(A) re 1 pW)(EN 60704-2-13):	
- Minimum	34/46
- Maximum continues	53/66
- Maximum	54/66

Induction hob

General characteristics

Black opaque glass	•
Bevelled glass edge	•
Surface and flushline mounting	• / •

Cooking zones

Number of cooking zones	4
Front left: dimension (mm) / power (Boost) (W)	210 x 220 / 2100 (3000)
Rear left: dimension (mm) / power (Boost) (W)	210 x 220 / 2100 (3000)
Front right: dimension (mm) / power (Boost) (W)	Ø 175 / 1400 (2100)
Rear right: dimension (mm) / power (Boost) (W)	Ø 175 / 1400 (2100)

Cooking functions

Control	Red slider touch control
Power levels	9 + Power
Timer per zone	•
Minute minder	•
Stop&Go	•
Keep warm function	70°
Bridge function flexzones	• (1x)
Residual heat indication	•
Automatic cooking	•
Child lock function	•
Automatic pan recognition	•
Grill function	•

Technical specifications

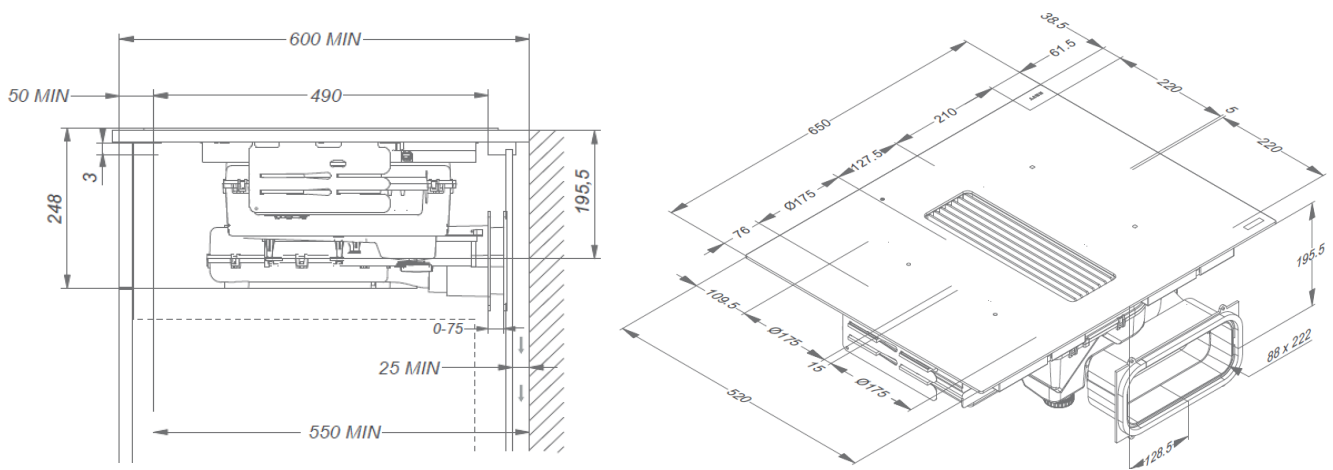
Electrical connection value (W)	7568 W
Multiphase supply voltage	230 V / 400 V - 1N / 2N
Single-phase supply voltage	230 V
Power cable (included)	1,5 m
Weight (kg)	15,9

Accessories

Accessories

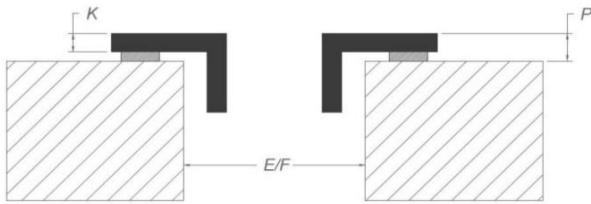
Connection adapter back panel	Supplied with appliance
-------------------------------	-------------------------

Dimensions

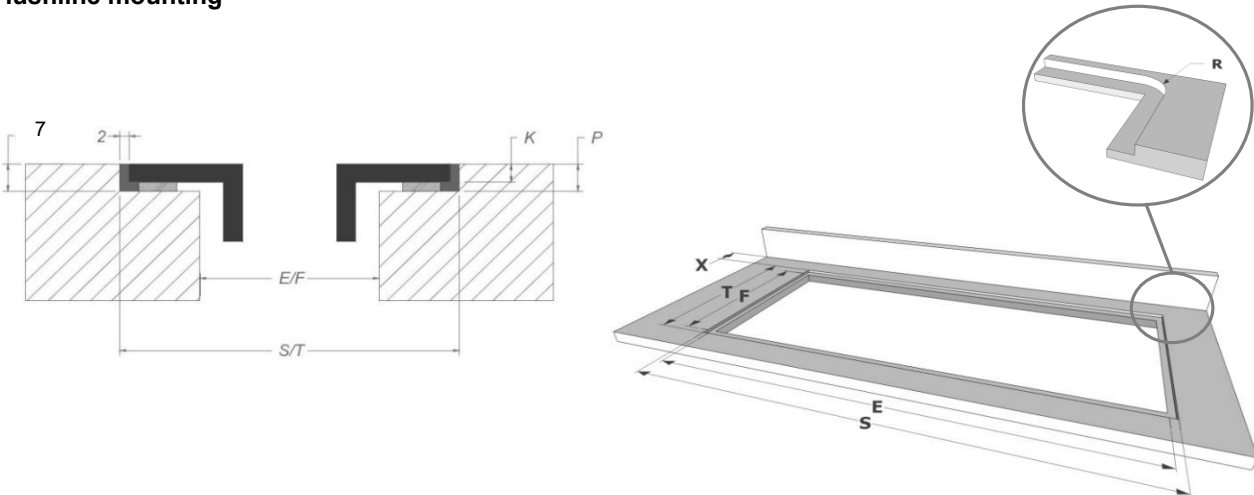


*When installing directly against an uninsulated outside wall, we recommend using an installation kit with air outlet in the plinth.

Surface mounting



Flushline mounting



Dimensions

mm

	E	F	K	P	R	S	T	X
Surface	560	490	4	6				55 min
Flushmount	560	490	4	6	7	654	524	55 min